

# INSTRUCTIONS AND REPAIR PARTS LIST

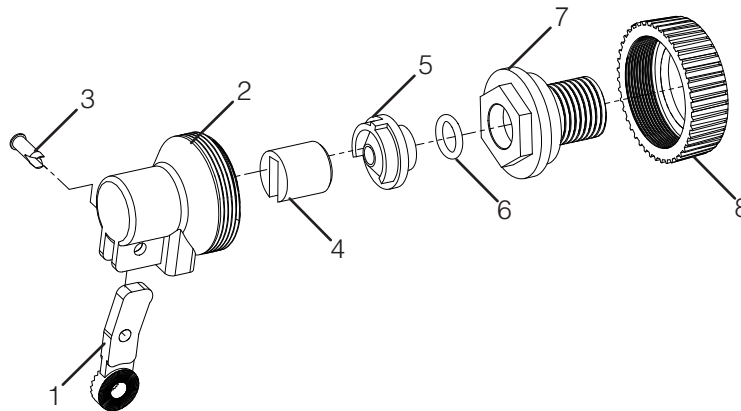
VP2  
Valve Series

**READ ALL DIRECTIONS CAREFULLY BEFORE BEGINNING INSTALLATION**

**Tools Required:** Teflon Tape, 1" Socket or Box End Wrench

**VP2 PARTS LIST**

Ref No	Item Number	Description	VP221	VP223	VP224	VP226	VP227	VP2-1/8RP	VP2-1/4RP
1	VP29	Valve Arm, Poly	•	•	•	•	•	•	•
2	VP21	Valve Body, Poly	•	•	•	•	•	•	•
3	VM106	Lock Pin, Poly	•	•	•	•	•	•	•
4	VP28	Plunger, Poly/Rubber	•	•	•	•	•	•	•
5	<b>VP24</b>	<b>1/8" Diameter Orifice, Poly</b>		•		•	•	•	
5	<b>VP26</b>	<b>1/4" Diameter Orifice, Poly</b>	•		•				•
6	VP112	5/8" O-Ring x .103, Rubber	•	•	•	•	•	•	•
7	<b>VP117</b>	<b>3/4" NPT Base, Brass</b>	•						
7	<b>VP118</b>	<b>1/2" NPT Base, Brass</b>				•			
7	<b>VP13</b>	<b>3/4" NPT Base, Poly</b>		•	•				
7	<b>VP14</b>	<b>1/2" NPT Base, Poly</b>					•		
8	VP15	Assembly Nut, Poly	•	•	•	•	•		



**MODEL NUMBERS**

The MODEL NUMBERS are: VP221, VP223, VP224, VP226, VP227, VP2-1/8RP, VP2-1/4RP

**WHEN ORDERING PARTS**

- (1) Show MODEL NUMBER and NAME: Example - VP221 Float Valve, 1/4" Orifice
- (2) Show PART NUMBER and FULL DESCRIPTION of part: Example - VP21 Valve Body, Poly

**HOW TO ORDER PARTS**

Repair parts may be ordered from your dealer.



PO BOX 2000 • HOUGHTON, IOWA 52631 • USA  
 PHONE: 319-469-4141 FAX: 319-469-4402  
 www.hawkeysteel.com E-MAIL: sales@hawkeysteel.com



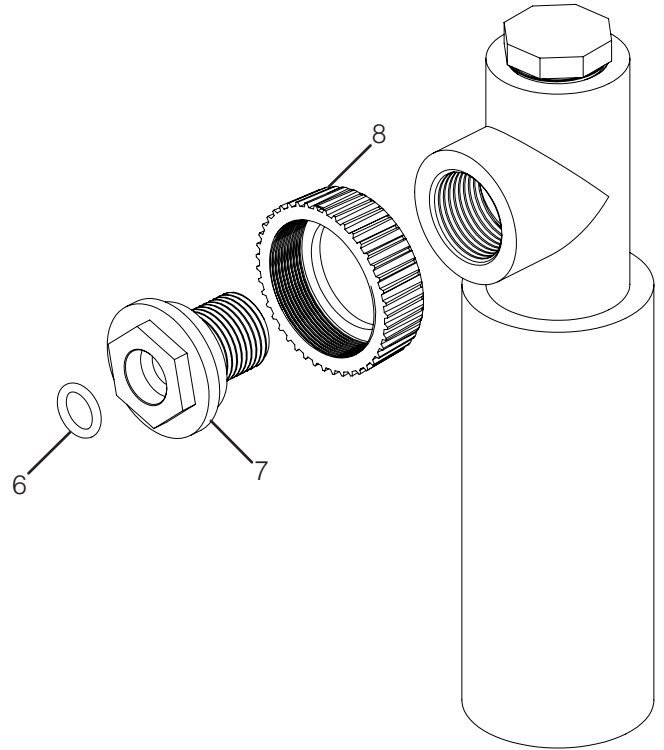
ISHVP2  
 REV. 3.1  
 PRINTED IN U.S.A.

**VP2 Maximum Shut-Off Pressure (PSI) in Relation to Orifice Size and Float Arm Length**

	VP24 - 1/8" Orifice	VP26 - 1/4" Orifice
VA225P - 1-1/8" Arm	100 PSI	40 PSI
WC725P - 2-1/2" Arm	120 PSI	65 PSI
WC726P - 3-5/8" Arm	130 PSI	85 PSI

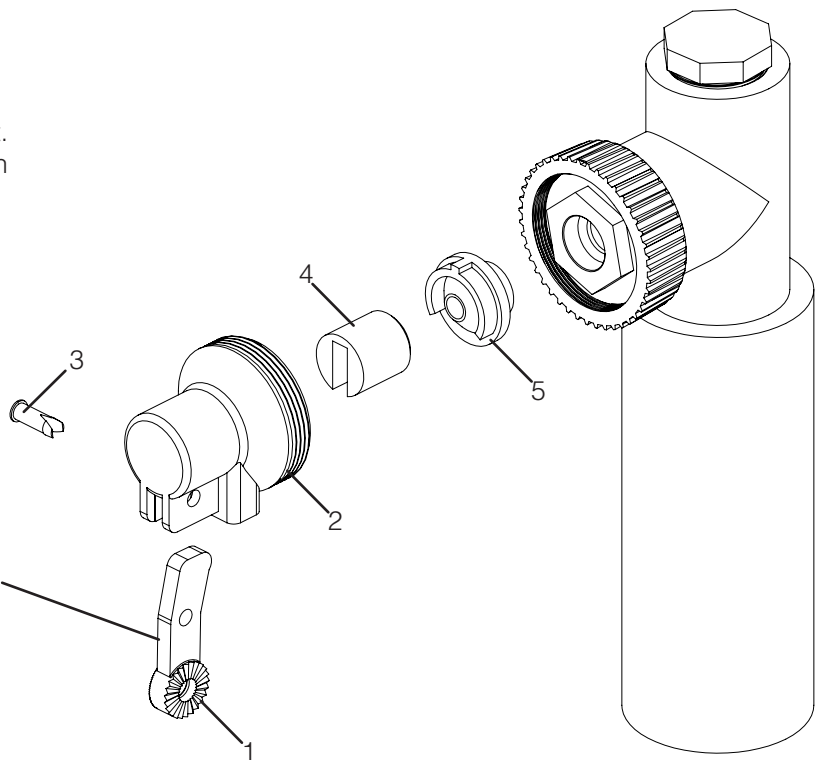
**STEP 1**

- Flush lines thoroughly to remove all foreign material.
- Do not subject valve to excessive tool pressures at any time.
- Hold inlet pipe securely while connecting to water supply line.
- Use Teflon tape or pipe seal on Base threads.
- Install Base, Assembly Nut and O-Ring first. Hand tighten Base plus one turn with 1" socket or box end wrench.



**STEP 2**

- Install Valve Arm in Valve Body using Lock Pin.
- Insert Plunger and Orifice in Valve Body.
- Thread Front Assembly onto Assembly Nut. Hand tighten only. Do not use Teflon tape on Valve Body.

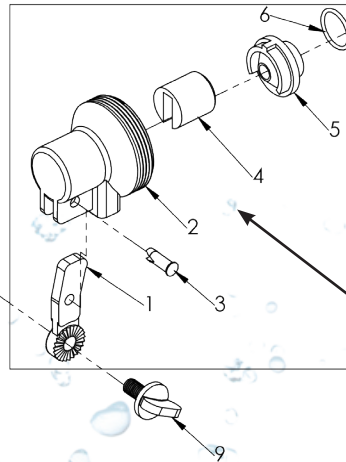


ATTENTION: DO NOT PUT PRESSURE ON VALVE ARM WHILE TIGHTENING FRONT VALVE ASSEMBLY.

## VP2 VALVE

- REPLACES VP1
- EASY TO CHANGE
- SIMPLICITY - FEWER PARTS
- INCREASED WATER FLOW

The fully assembled valve part numbers are VP221, VP223, VP224, VP226, VP227. The last 2 numbers on VP2 part nos. match up with our VP1 valve. If your drinker originally took a VP124, order a VP224, etc.



If you want to replace a VP1 valve with a VP2 valve, the base and assembly nut can remain connected to your water supply line.

**UPGRADE KITS FOR VP1 VALVES**  
(Includes Items 1-6)

**VP2-1/8RP:**  
1/8 Inch Orifice  
(For Higher Pressures)

**VP2-1/4RP:**  
1/4 Inch Orifice

**VP25 3/32" ORIFICE**  
Available for all valves for extremely high water pressure

**VP224 VALVE VA6 FLOAT ARM VM117 FLOAT**  
(Items 1-8)

Used on these models: WPM10, WPM10A, MPM10, MPM10A, WPM16, WPM20, MPM20, WPM80, WPM120, WPO25, MPO25, WPO50, & WPO70.

For: WPM14, WPO12, MPO12	For: WPO17, MPO17	For: MC, MJ, MK	For: MH
<p><b>VP223 Valve</b> VA4 Float Arm VM117 Float</p>	<p><b>VP223 Valve</b> VA225P Float Arm OP321 Float (Float in Horizontal Position)</p>	<p><b>VP226 Valve</b> VA225P Float Arm OP321 Float (Float in Vertical Position)</p>	<p><b>VP221 Valve</b> WC726P Float Arm OP321 Float (Float in Vertical Position)</p>

### VP2 PARTS LIST

Ref No.	Part No.	Description	VP221	VP223	VP224	VP226	VP227	VP2-1/8RP	VP2-1/4RP
1	VP29	Valve Arm, Poly	*	*	*	*	*	*	*
2	VP21	Valve Body, Poly	*	*	*	*	*	*	*
3	VM106	Lock Pin, Poly	*	*	*	*	*	*	*
4	VP28	Plunger, Poly/Rubber	*	*	*	*	*	*	*
5	VP24	1/8" Diameter Orifice, Poly		*		*	*	*	
5	VP26	1/4" Diameter Orifice, Poly	*		*				*
6	VP112	5/8" O-Ring x .103, Rubber	*	*	*	*	*	*	*
7	VP117	3/4" NPT Base, Brass	*						
7	VP118	1/2" NPT Base, Brass				*			
7	VP13	3/4" NPT Base, Poly		*	*				
7	VP14	1/2" NPT Base, Poly					*		
8	VP15	Assembly Nut, Poly	*	*	*	*	*	*	*

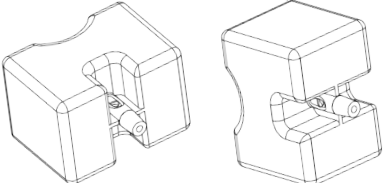
## FLOATS AND ARMS

Ref No	Item Number	Description	Ref	Item	Description
9	VP115	Adjust Screw, Poly	13	WC726P	Float Arm 3 5/8", Poly
10	VA6	Float Arm, 6", Poly	14	VM117	Float 4 3/8"(Diameter) x 2 7/8" Tall, Poly
11	VA4	Float Arm, 4", Poly	15	OP321	Float 3 1/2" x 4 1/2" x 3", Poly
12	VA225P	Float Arm, 1 1/8", Poly			

NEW!

**OP321  
REDESIGNED**

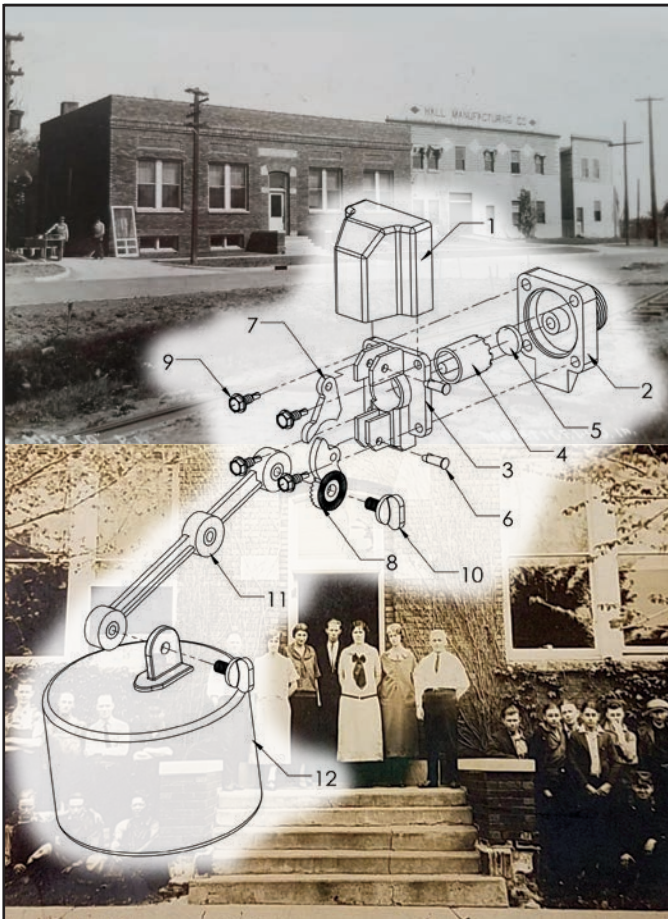
- STRONGER CENTER ATTACHMENT
- LARGER FOR MORE BUOYANCY



## MONTICELLO VALVE...

*So named because Franklin was headquartered in Monticello, Iowa for many years.*

For decades, one of the industry's most recognized water valve came to be known as the **Franklin Valve**. It has been a long established icon because of the way it reliably delivers water to animals. Our **Monticello Valve** is an improvement over the **Franklin Valve**. All of our Monticello parts interchange with Franklin parts, but note this: Our Monticello parts have better integrity (no warping or flashing) than Franklin. Our float and float arm are superior to Franklin. There are a lot of farm stores and dealers who now stock Franklin or have in the past. We have a price competitive option for you. Note: Our **Monticello Valve** performance is comparable to our VP224 valve performance (see page 32) - both SUPERB! We do not necessarily recommend using Monticello in any of our **Brower** waterers - but Monticello can be used in Models MPO12, MPM10, MPM10A and MPM20.



Model No.	Description
VM100	Valve, Monticello, 3/4" Base, .45 Orifice Less Float Arm, Thumb Screws & Float
VM200	Valve, Monticello, 3/4" Base, .25 Orifice Less Float Arm, Thumb Screws & Float
VM150	Valve, VM100 Complete with Float Arm, 2 Thumb Screws & Float, .45 Orifice
VM250	Valve, VM200 Complete with Float Arm, 2 Thumb Screws & Float, .25 Orifice

( 1/2" base and .125 orifice also available; see price list )

Ref No.	Part No.	DESCRIPTION
1	VM101	Cap BL101
2	VM102	Bottom Base, 3/4" Thread, .45 Orifice BL102
2	VM104	Bottom Base, 3/4" Thread, .25 Orifice BL102
3	VM105	Top Base BL105
4	VM103	Plunger BL108
5	VM107	Plunger Seat Rubber BL107
6	VM106	Lock Pin BL106
7	VM110	Upper Arm BL110
8	VM111	Lower Arm BL111
9	OF210	Base Screw 10 x 5/8 HWH BL109
10	VP115	Thumb Screw BL114
11	VM112	Float Arm Blue 6" BL112 (VM112 Blue; VA6B Black arm to use with VP2)
12	VM117	Float 4 3/8" Diameter x 2 7/8" Tall BL117P

(Note: The BL numbers are Franklin Numbers with all due respect to Mr. Barker and Mr. Link)